

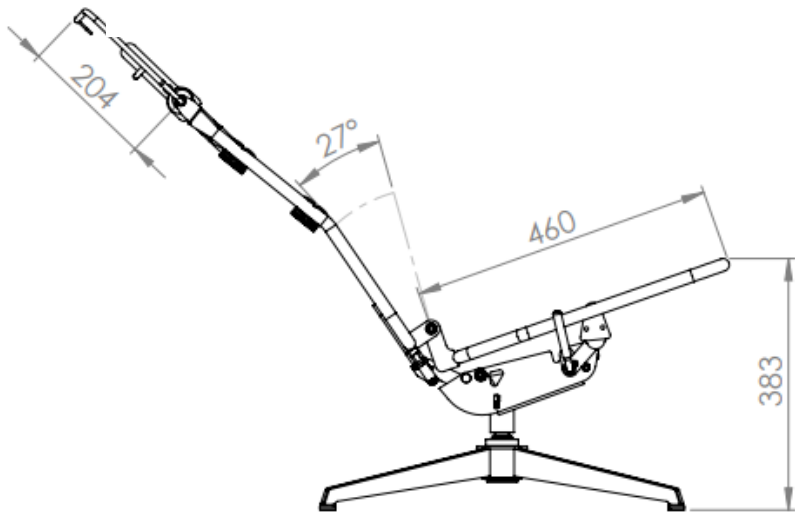
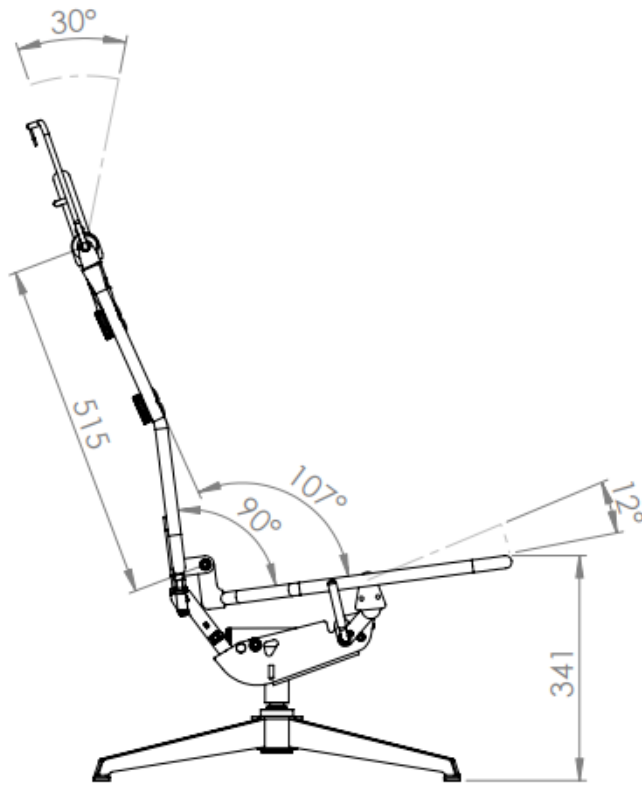
Get in touch

Inger Sjøli
Sales and Marketing Manager

inger@sykkylvenstal.no
+47 911 94 008

Sykkylven Stål AS
Vikøyra Industriområde 6
NO-6230 Sykkylven

Dyfosit™
Reflects your movements



Comfort

- Smooth reclining movement with gas spring
- Two-step movement - the seat changes angle when the back is reclined, providing incomparable comfort!
- Ergonomic and comfortable seating - decreased pressure on lower back and tailbone, naturally balancing your body
- Clothing will be kept in place, shirt does not crawl up your back when reclining the chair
- Does not get the feeling of slipping "out" of the chair after being seated a while

Information

- Patented function system
- Tested and approved according to NS-EN 16139:2013 European Standard
- Fixed hand trigger or hand trigger with wire
- Hand trigger with wire will give a "rocking" feature
- Increased design freedom - few suspension points
- back- and seat frame tailored to design
- Armrests are optional, can be mounted in back or seat frame
- 900N or 1000N gas spring in mechanism
- Nylon bands in seat to eliminate sagging and improve firmness
- No-sag springs in back to reduce sagging and increase firmness
- Comparable with different headrest solutions
- Suitable for chairs with swivel or 4 legs
- Swivel base is available in three different heights
- Suitable for molded foam
- Steel frames and molds for foaming is created digitally



Sykkylven

The Norwegian Furniture Cluster

Sykkylven is famous for its long and influential part in the furniture industry. Design, product development and furniture production has been a central part in shaping this areas culture.

We can help you simplify your supply chain with our access to local, world leading competence within:

Design

Prototyping and confectioning

Molding and foaming

Woodwork

Get in touch

Inger Sjøli
Sales and Marketing Manager

inger@sykkylvenstal.no
+47 911 94 008

Sykkylven Stål AS
Vikøyra Industriområde 6
NO-6230 Sykkylven

