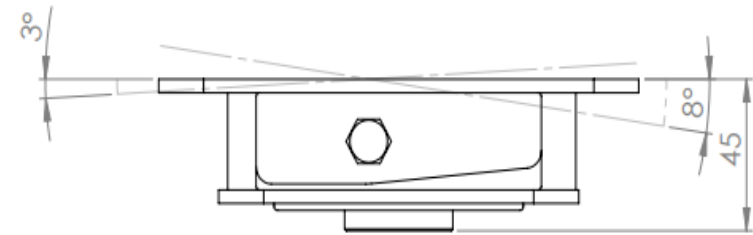
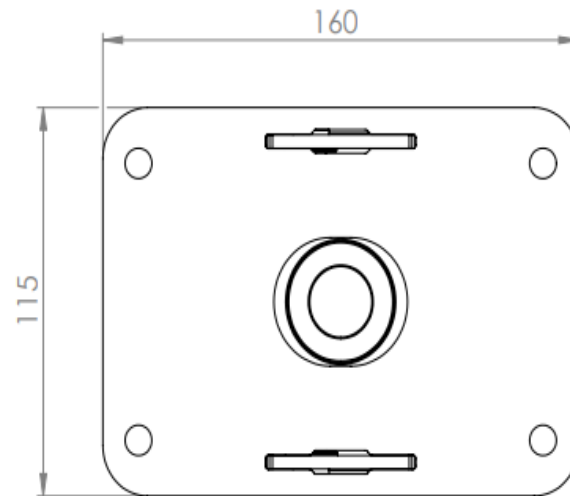




Product Specification

- > Light weight
- > Extraordinary comfort
- > Design freedom

Tilting mechanism



^
Watch video



Get in touch

Ida Nelvik

Export Manager
ida@sykkylvenstal.no

+47 416 51 980
www.dyfosit.no

Dyfosit[®]
by SYKKYLVEN STÅL



Tilting mechanism

Unique benefits of MKR

- > Tested and approved according to NS-EN 16139:2013.
- > Patented function system.
- > 40 shore or 70 shore, this is compressed by a maximum of 30% when tipped.
- > Rubber and fixing plate are not glued together, so that there is no risk of delamination.
- > Suitable for smaller or larger chairs.

Embracing Comfort, Quality and Design Freedom

Embrace Dyfosits' standards of comfort and quality, and discover our commitment to give you design freedom. Each feature of our models has been carefully crafted to enhance your customers' relaxation experience.

Comfort for your customers

- > This mechanism creates the best and most comfortable tilt function in seating furniture.
- > Tilts/rocks 3 degrees forwards, 8 degrees backwards.
- > Ensures ergonomic and comfortable seating.

Easy collaboration

- > Few suspension points gives great design freedom.
- > Back- and seatframe tailored to design.
- > Easy to hide under the furniture.
- > Suitable for molded foam.

