



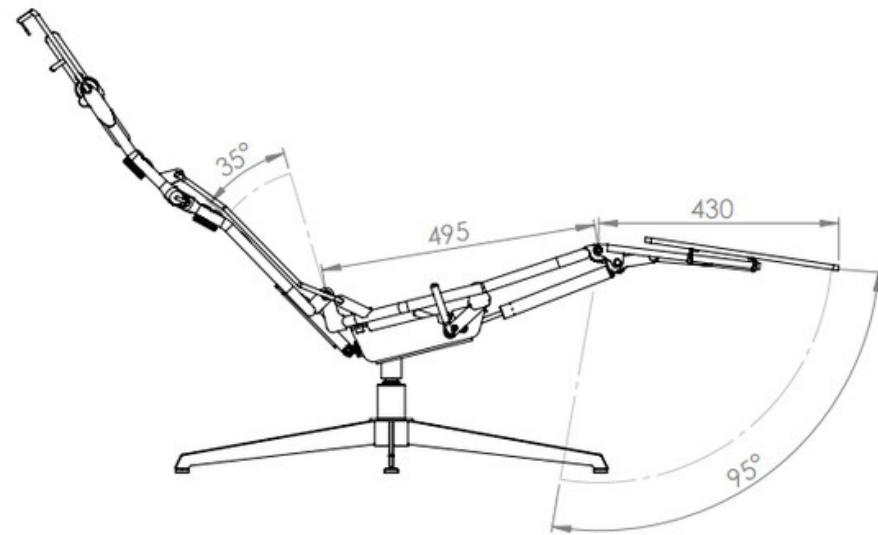
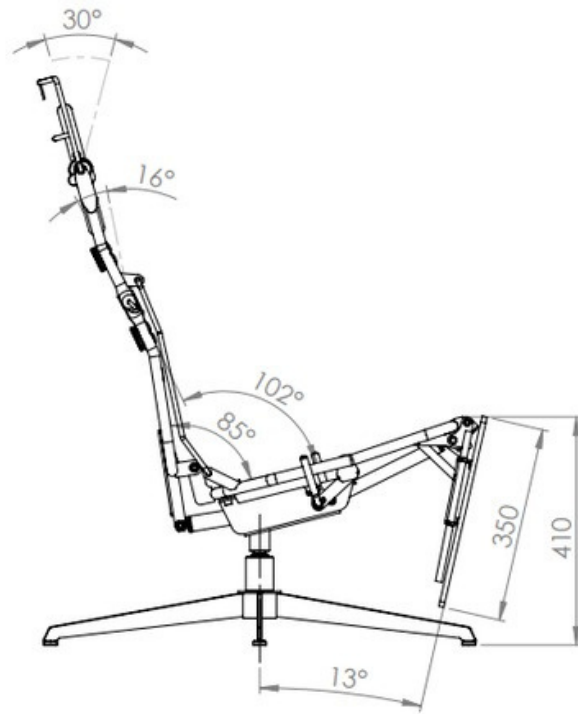
Get in touch

Ida Nelvik
Export Manager

ida@sykkylvenstal.no
+47 416 519 80

Sykkylven Stål AS
Vikøyra Industriområde 6
NO-6230 Sykkylven





Comfort

- The seat is slightly tilted in a 13 degrees angle
- Curve-motion in back reflects a natural and balanced seating position
- When reclined, the back curves with the help of "push rods"
- Increased support in upper-back and shoulder area, Curve motion prohibits clothing from crawling up your back
- Smooth reclining movement with gas spring
- Back and footrest is independent of each other
- Nylon bands in seat to eliminate sagging and increase firmness
- No-sag springs in back to reduce sagging and increase firmness

Benefits

- Patented footrest - extends during elevation, fabric will be kept nice and tight
- Footrest has integrated gas springs, optional to stop elevation in all positions
- Comparable with different headrest solutions
- Fixed hand wires on both sides, one for reclining and one for elevating the footrest.
- Increased design freedom - few suspension points
- Seat- and back-frames tailored to design
- Armrests can be added to seat- or backframe, dependent on design
- Suitable for molded foam
- Steel frames and molds for foaming are created digitally



Sykkylven

The Norwegian Furniture Cluster

Sykkylven is famous for its long and influential part in the furniture industry. Design, product development and furniture production has been a central part in shaping this areas culture.

We can help you simplify your supply chain with our access to local, world leading competence within:

Design

Prototyping and confectioning

Molding and foaming

Woodwork



Get in touch

Ida Nelvik
Export Manager

ida@sykkylvenstal.no
+47 416 519 80

Sykkylven Stål AS
Vikøyra Industriområde 6
NO-6230 Sykkylven