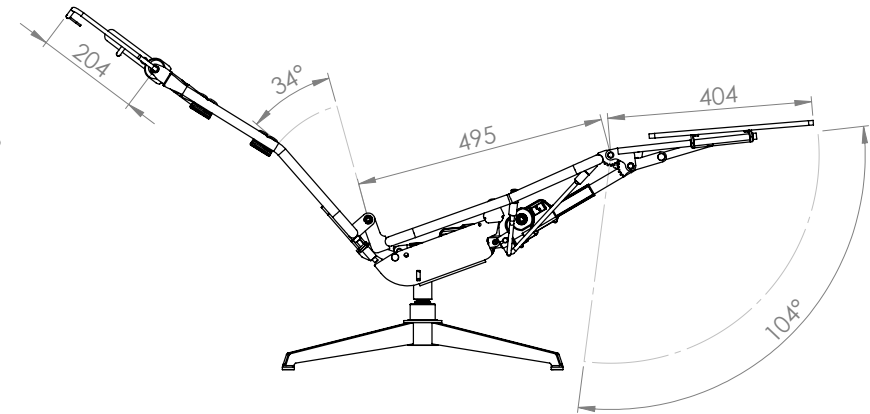
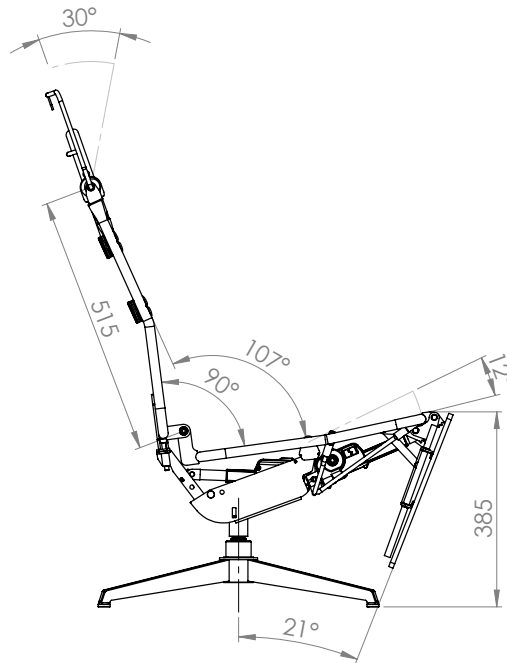




Product Specification

A motorized model with footrest.

- > Light weight
- > Extraordinary comfort
- > Design freedom



^
Watch video



Get in touch

Ida Nelvik

Export Manager
ida@sykkylvenstal.no

+47 416 51 980
www.dyfosit.no

Dyfosit[®]
by SYKKYLVEN STÅL



A motorized model with footrest.

Unique benefits of MK7

- > Tested and approved according to NS-EN 16139:2013.
- > Batteries have integrated fire-extinguishers.
- > Built in sensors that continuously monitor battery temperature.
- > Wireless remote control.
- > Motors can be controlled via IOS/Android app.
- > Sensory controlled movements in actuator, no mechanical switches.

Embracing Comfort, Quality and Design Freedom

Embrace Dyfosits' standards of comfort and quality, and discover our commitment to give you design freedom. Each feature of our models has been carefully crafted to enhance your customers' relaxation experience.

Comfort for your customers

- > Smooth motorized reclining movement.
- > Synchronized motion of the backrest and seat ensures that the entire body moves with the chair. No readjustment to sit upright again is needed.
- > Clothing will be kept in place, shirt does not crawl up your back when reclining the chair.
- > Ensures ergonomic and comfortable seating.
- > Decreased pressure on lower back and tailbone, naturally balancing your body.

Easy collaboration

- > Few suspension points gives great design freedom.
- > Back- and seatframe tailored to design.
- > Armrests are optional, can be mounted in back or seat frame.
- > Comparable with different headrest solutions.
- > Suitable for molded foam.

