



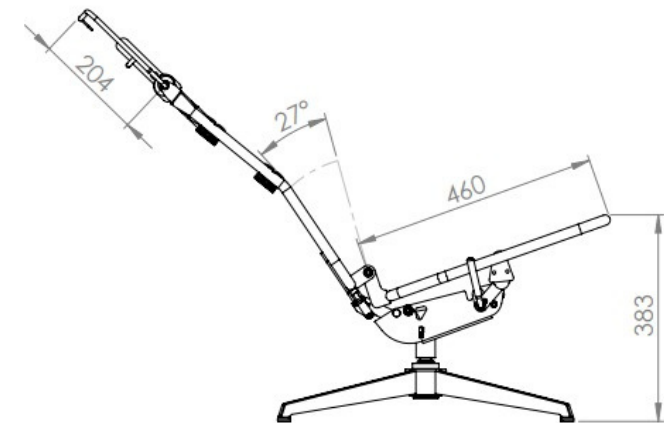
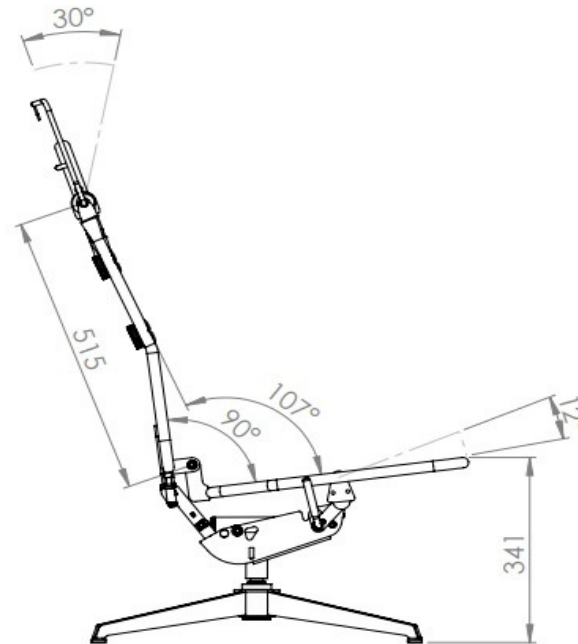
# Product Specification

A model with unique movement



^  
Watch video

- > Light weight
- > Extraordinary comfort
- > Design freedom



## Get in touch

**Ida Nelvik**

Export Manager  
ida@sykkylvenstal.no

+47 416 51 980  
www.dyfosit.no

**Dyfosit**<sup>®</sup>  
by SYKKYLVEN STÅL



A model with  
unique movement

### Unique benefits of MK5

- > Tested and approved according to NS-EN 16139:2013.
- > Patented function system.
- > Fixed lever or lever with wire.

## Embracing Comfort, Quality and Design Freedom

Embrace Dyfosits' standards of comfort and quality, and discover our commitment to give you design freedom. Each feature of our models has been carefully crafted to enhance your customers' relaxation experience.

### Comfort for your customers

- > Smooth motorized reclining movement.
- > Synchronized motion of the backrest and seat ensures that the entire body moves with the chair. No readjustment to sit upright again is needed.
- > Clothing will be kept in place, shirt does not crawl up your back when reclining the chair.
- > Ensures ergonomic and comfortable seating.
- > Decreased pressure on lower back and tailbone, naturally balancing your body.

### Easy collaboration

- > Few suspension points gives great design freedom.
- > Back- and seatframe tailored to design.
- > Armrests are optional, can be mounted in back or seat frame.
- > Comparable with different headrest solutions.
- > Suitable for molded foam.

